

DM74LS73A

Dual Negative-Edge-Triggered Master-Slave J-K Flip-Flops with Clear and Complementary Outputs

General Description

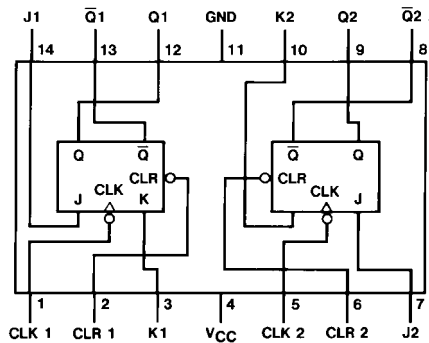
This device contains two independent negative-edge-triggered J-K flip-flops with complementary outputs. The J and K data is processed by the flip-flops on the falling edge of the clock pulse. The clock triggering occurs at a voltage level and is not directly related to the transition time of the negative going edge of the clock pulse. The data on the J and K inputs is allowed to change while the clock is HIGH or LOW without affecting the outputs as long as setup and hold times are not violated. A low logic level on the clear input will reset the outputs regardless of the levels of the other inputs.

Ordering Code:

| Order Number | Package Number | Package Description |
|--------------|----------------|---|
| DM74LS73AM | M14A | 14-Lead Small Outline Integrated Circuit (SOIC), JEDEC MS-120, 0.150 Narrow |
| DM74LS73AN | N14A | 14-Lead Plastic Dual-In-Line Package (PDIP), JEDEC MS-001, 0.300 Wide |

Devices also available in Tape and Reel. Specify by appending the suffix letter "X" to the ordering code.

Connection Diagram



Function Table

| Inputs | | | | Outputs | |
|--------|-----|---|---|---------|-------------|
| CLR | CLK | J | K | Q | \bar{Q} |
| L | X | X | X | L | H |
| H | ↓ | L | L | Q_0 | \bar{Q}_0 |
| H | ↓ | H | L | H | L |
| H | ↓ | L | H | L | H |
| H | ↓ | H | H | Toggle | |
| H | H | X | X | Q_0 | \bar{Q}_0 |

H = HIGH Logic Level

L = LOW Logic Level

X = Either LOW or HIGH Logic Level

↓ = Negative going edge of pulse.

Q_0 = The output logic level before the indicated input conditions were established.

Toggle = Each output changes to the complement of its previous level on each falling edge of the clock pulse.

Absolute Maximum Ratings(Note 1)

| | |
|--------------------------------------|-----------------|
| Supply Voltage | 7V |
| Input Voltage | 7V |
| Operating Free Air Temperature Range | 0°C to +70°C |
| Storage Temperature Range | -65°C to +150°C |

Note 1: The "Absolute Maximum Ratings" are those values beyond which the safety of the device cannot be guaranteed. The device should not be operated at these limits. The parametric values defined in the Electrical Characteristics tables are not guaranteed at the absolute maximum ratings. The "Recommended Operating Conditions" table will define the conditions for actual device operation.

Recommended Operating Conditions

| Symbol | Parameter | Min | Nom | Max | Units |
|------------------|--------------------------------|------------|-----|------|-------|
| V _{CC} | Supply Voltage | 4.75 | 5 | 5.25 | V |
| V _{IH} | HIGH Level Input Voltage | 2 | | | V |
| V _{IL} | LOW Level Input Voltage | | | 0.8 | V |
| I _{OH} | HIGH Level Output Current | | | -0.4 | mA |
| I _{OL} | LOW Level Output Current | | | 8 | mA |
| f _{CLK} | Clock Frequency (Note 2) | 0 | | 30 | MHz |
| f _{CLK} | Clock Frequency (Note 3) | 0 | | 25 | MHz |
| t _w | Pulse Width (Note 2) | Clock HIGH | 20 | | ns |
| | | Preset LOW | 25 | | |
| | | Clear LOW | 25 | | |
| t _w | Pulse Width (Note 3) | Clock HIGH | 25 | | ns |
| | | Preset LOW | 30 | | |
| | | Clear LOW | 30 | | |
| t _{SU} | Setup Time (Note 2)(Note 4) | 20↓ | | | ns |
| t _{SU} | Setup Time (Note 3)(Note 4) | 25↓ | | | ns |
| t _H | Hold Time (Note 2)(Note 4) | 0↓ | | | ns |
| t _H | Hold Time (Note 3)(Note 4) | 5↓ | | | ns |
| T _A | Free Air Operating Temperature | 0 | | 70 | °C |

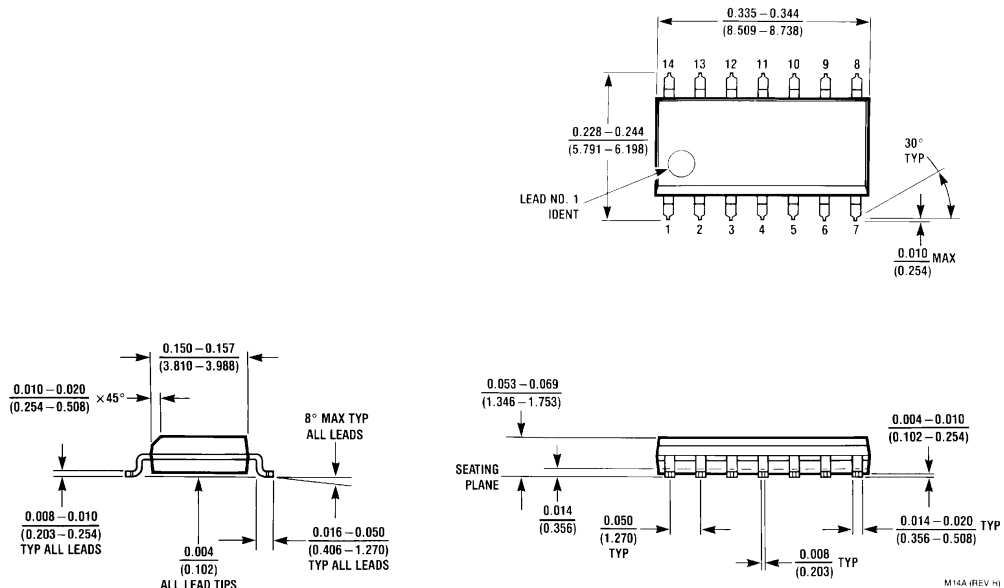
Note 2: C_L = 15 pF, R_L = 2 kΩ, T_A = 25°C and V_{CC} = 5V.

Note 3: C_L = 50 pF, R_L = 2 kΩ, T_A = 25°C and V_{CC} = 5V.

Note 4: The symbol (↓) indicates the falling edge of the clock pulse is used for reference.

| Electrical Characteristics | | | | | | | |
|---|--|---|---------------------------|-----------------|-----------------------|---------------|-------|
| over recommended operating free air temperature range (unless otherwise noted) | | | | | | | |
| Symbol | Parameter | Conditions | Min | Typ (Note 5) | Max | Units | |
| V_I | Input Clamp Voltage | $V_{CC} = \text{Min}$, $I_I = -18 \text{ mA}$ | | | -1.5 | V | |
| V_{OH} | HIGH Level Output Voltage | $V_{CC} = \text{Min}$, $I_{OH} = \text{Max}$ $V_{IL} = \text{Max}$, $V_{IH} = \text{Min}$ | 2.7 | 3.4 | | V | |
| V_{OL} | LOW Level Output Voltage | $V_{CC} = \text{Min}$, $I_{OL} = \text{Max}$ $V_{IL} = \text{Max}$, $V_{IH} = \text{Min}$ $I_{OL} = 4 \text{ mA}$, $V_{CC} = \text{Min}$ | | 0.35 0.25 | 0.5 0.4 | V | |
| I_I | Input Current @ Max Input Voltage | $V_{CC} = \text{Max}$ $V_I = 7\text{V}$ | | | 0.1 0.3 0.4 | mA | |
| I_{IH} | HIGH Level Input Current | $V_{CC} = \text{Max}$ $V_I = 2.7\text{V}$ | | | 20 60 80 | μA | |
| I_{IL} | LOW Level Input Current | $V_{CC} = \text{Max}$ $V_I = 0.4\text{V}$ | | | -0.4 -0.8 -0.8 | mA | |
| I_{OS} | Short Circuit Output Current | $V_{CC} = \text{Max}$ (Note 6) | -20 | | -100 | mA | |
| I_{CC} | Supply Current | $V_{CC} = \text{Max}$ (Note 7) | | 4 | 6 | mA | |
| <p>Note 5: All typicals are at $V_{CC} = 5\text{V}$, $T_A = 25^\circ\text{C}$.</p> <p>Note 6: Not more than one output should be shorted at a time, and the duration should not exceed one second. For devices, with feedback from the outputs, where shorting the outputs to ground may cause the outputs to change logic state, an equivalent test may be performed where $V_O = 2.125\text{V}$ with the minimum and maximum limits reduced by one half from their stated values. This is very useful when using automatic test equipment.</p> <p>Note 7: With all outputs OPEN, I_{CC} is measured with the Q and \bar{Q} outputs HIGH in turn. At the time of measurement, the clock is grounded.</p> | | | | | | | |
| Switching Characteristics | | | | | | | |
| at $V_{CC} = 5\text{V}$ and $T_A = 25^\circ\text{C}$ | | | | | | | |
| Symbol | Parameter | From (Input) To (Output) | $R_L = 2 \text{ k}\Omega$ | | | | Units |
| | | | $C_L = 15 \text{ pF}$ | | $C_L = 50 \text{ pF}$ | | |
| | | | Min | Max | Min | Max | |
| f_{MAX} | Maximum Clock Frequency | | 30 | | 25 | | MHz |
| t_{PHL} | Propagation Delay Time HIGH-to-LOW Level Output | Clear to Q | | 20 | | 28 | ns |
| t_{PLH} | Propagation Delay Time LOW-to-HIGH Level Output | Clear to \bar{Q} | | 20 | | 24 | ns |
| t_{PLH} | Propagation Delay Time LOW-to-HIGH Level Output | Clock to Q or \bar{Q} | | 20 | | 24 | ns |
| t_{PHL} | Propagation Delay Time HIGH-to-LOW Level Output | Clock to Q or \bar{Q} | | 20 | | 28 | ns |

Physical Dimensions inches (millimeters) unless otherwise noted



**14-Lead Small Outline Integrated Circuit (SOIC), JEDEC MS-120, 0.150 Narrow
Package Number M14A**

